

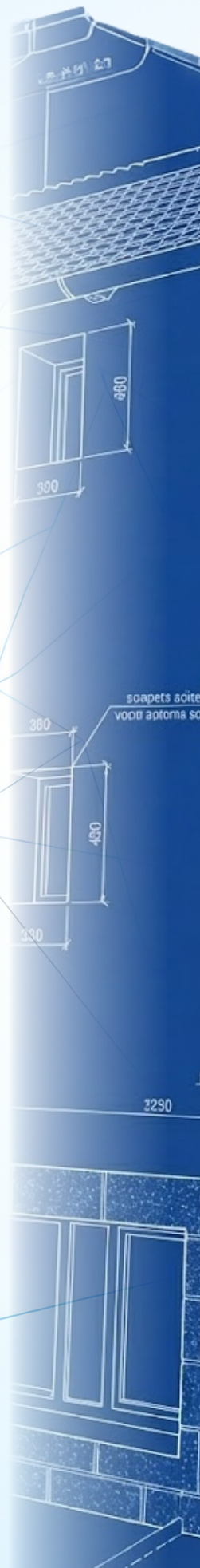
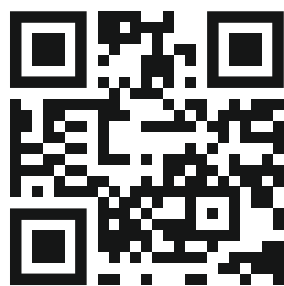
KAMINHORN
CHIMNEY SYSTEMS & FIREPLACES

**Your source of
relaxation and comfort**

 **+40 744 995 533**

 **KaminHorn România**
Comănești - Bacău

 **www.kaminhorn.ro**



CHIMNEYS CERTIFICATIONS

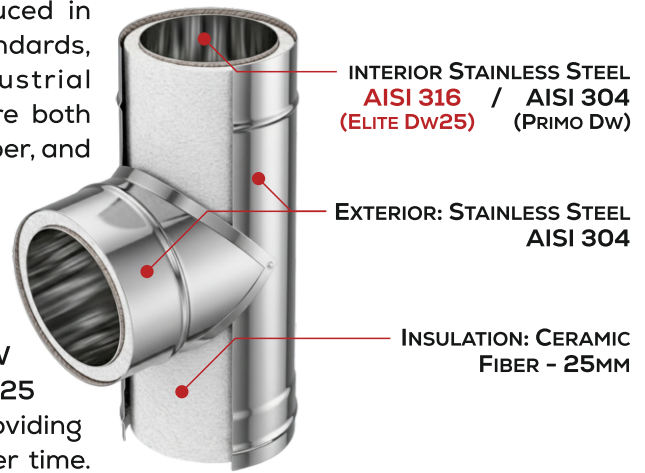


Kaminhorn professional chimney systems are produced in Romania using the latest technologies and quality standards, offering efficient solutions for residential and industrial applications. The Elite DW 25 and Primo DW models are both double-wall systems, insulated with 25mm ceramic wool fiber, and are compatible with gas, solid, and liquid fuels.

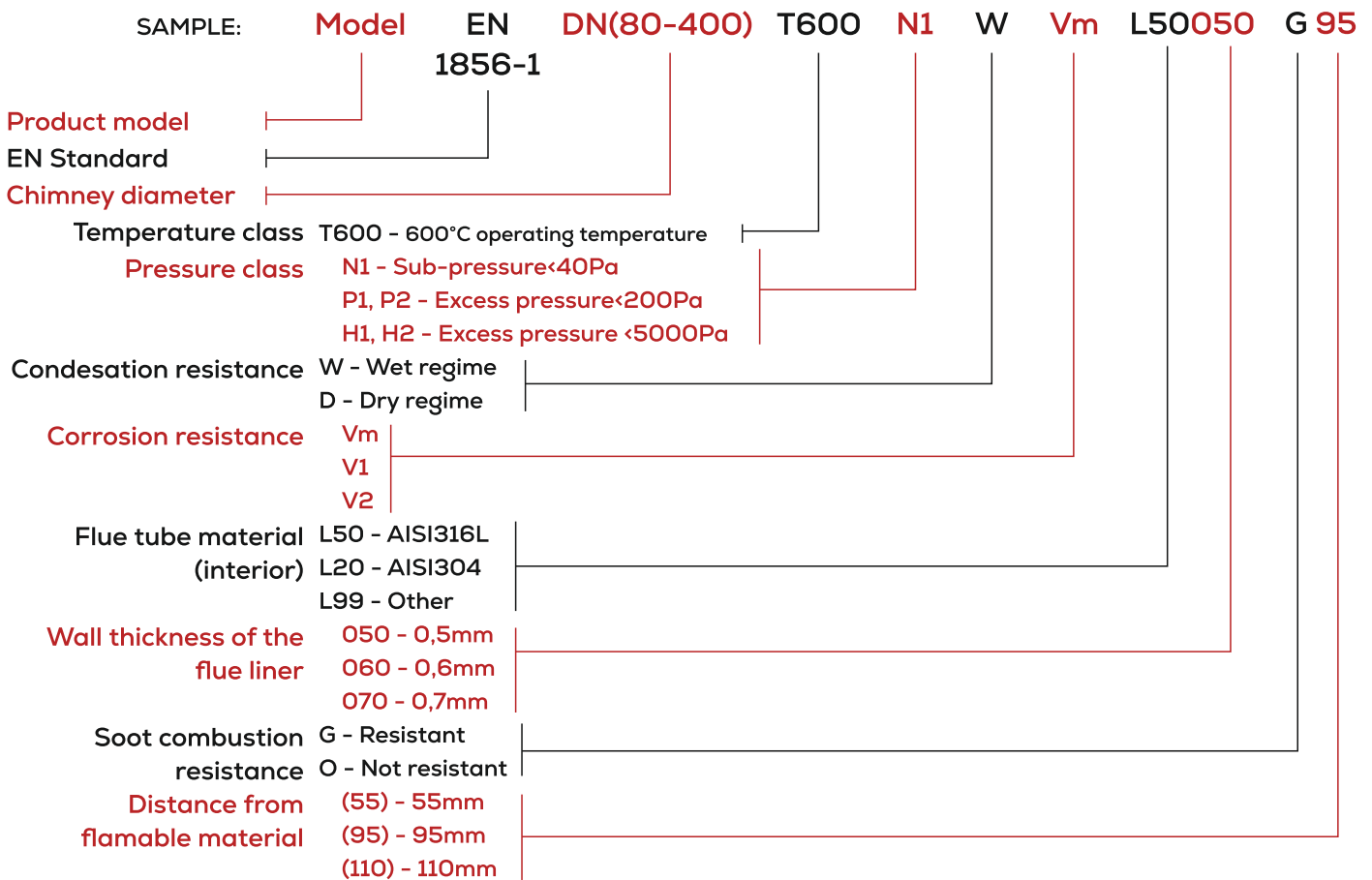
Both ranges are certified according to EN 1856-1 standards, ensuring a safe and secure evacuation of flue gases.

The major difference between these two models lies in the material used and safety performance. While the Primo DW model uses AISI 304 stainless steel (code L20), the Elite DW 25 is equipped with AISI 316 stainless steel (code L50), providing increased corrosion resistance and superior durability over time.

Additionally, the Elite DW 25 variant stands out with a certification that permits a much smaller safety distance from combustible materials, making it ideal for installations in restricted spaces.



Stainless steel certification/clasification (EN 1856-1) Lay-out:



PRIMO DW	model 1 DN(80-400)	T600 N1 W Vm L20050 G 95
	model 1 DN(80-400)	T600 N1 W Vm L20070 G 55
	model 1 DN(450-800)	T600 N1 W Vm L20070 G 110

Stainless Steel chimney, operating temperatures up to 600°C, with 25mm ceramic fiber insulation, AISI 304 interior flue tube, 0.5-0.7mm flue liner wall thickness. Diameter from 80 - 800mm, works at negative pressure without condensation. distance from flammable material: 55-110mm

ELITE DW 25	model 2 DN(80-400)	T600 N1 W Vm L50050 G 55
	model 2 DN(80-400)	T600 N1 W Vm L50070 G 55
	model 2 DN(450-800)	T600 N1 W Vm L50070 G 110

Stainless Steel chimney, operating temperatures up to 600°C, with 25mm ceramic fiber insulation, AISI 316 interior flue tube, 0.5-0.7mm flue liner wall thickness. Diameter from 80 - 800mm, works at negative pressure without condensation. distance from flammable material: 55-110mm

ELITE DW 25 & PRIMO DW

KAMINHORN
CHIMNEY SYSTEMS & FIREPLACES

CERTIFICATIONS

CHIMNEY ELEMENTS

CHIMNEY KITS

	Elite DW 25	Primo DW 25
Interior Diameter	80-400 / 450-800	80-400 / 450-800
Chimney height	3-100m	
Temperature class	T600	
Pressure class	N1	
Isolation thickness	25 mm	
Isolation density	128 kg/m ³	
Flue tube material	L50 - AISI 316	L20 - AISI 304
Flue wall thickness	0.6mm / 0.7mm	0.5mm / 0.7mm
Shoot combustion resistance	G - resistant	
Distance from flammable material	55mm / 110mm	95mm/55mm/110mm



1. Rain cap / Wind cap
2. Flue pipe section - 1 m
3. Flue pipe section - 0.5 m / 0.25 m
4. Chimney connection piece 90°/45°
5. Intermediate locking band (for segment)
6. Wall mounting clamp -fixed / adjustable
7. Wall-mounted / Ground level condensation collector base
8. Cleaning / Inspection element

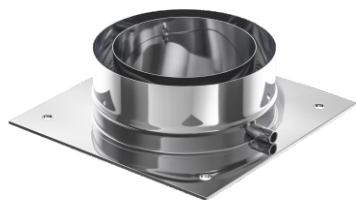


WIDE RANGE APPLICATIONS:

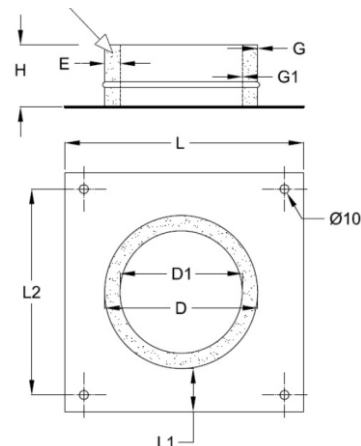
- **Industrial Capacity (Up to Ø800mm):** Our production line covers the full spectrum, from Ø80mm residential pipes to heavy-duty industrial systems up to Ø800mm.
- **Custom RAL Finishes:** We can paint the stainless steel outer shell in any RAL color to match the building's facade. The most requested custom options are Matte Black and Anthracite Grey.
- **Superior White Ceramic Wool Insulation:** Unlike standard rock wool, our high-performance white ceramic wool (128 kg/m³ density) withstands temperatures up to 1200°C and does not settle over time, ensuring constant thermal protection.
- **International Quality:** A product trusted across Europe, showcased at major industry fairs like Progetto Fuoco (Verona) and CONSTRUMA.

ELITE DW 25 / PRIMO DW 25

GROUND LEVEL CONDENSATION COLLECTOR BASE



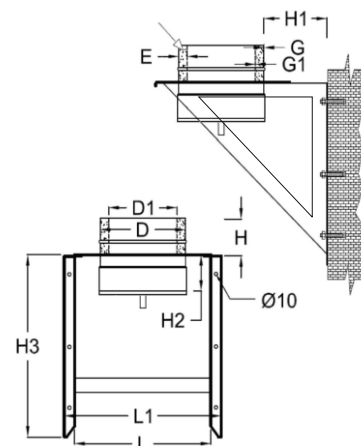
D1 - Flue Diameter	80-400mm / 450-800mm
D - Exterior Diameter	D1 + 50mm (130-850mm)
L - Base plate	D1 + 130mm (130-930mm)
L1	40 mm
L2	85 mm
H	100 mm
E - Insulation	25 mm



WALL-MOUNTED CONDENSATION COLLECTOR BASE



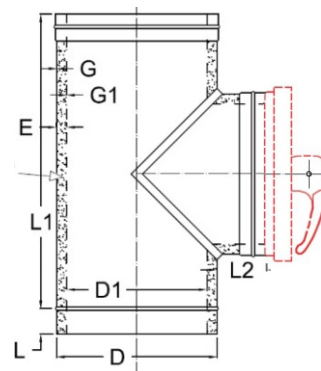
D1 - Flue Diameter	80-400mm / 450-800mm
D - Exterior Diameter	D1 + 50mm (130-850mm)
L - Base plate	D1 + 130mm (210-930mm)
L1	D1 + 190mm (270-990mm)
H	100 mm
H1 / H2	150 mm / 100 mm
H3	D1 + 210 mm (210-1010mm)
E - Insulation	25 mm



CLEANING T ELEMENT - 0.5M - DW



D1 - Flue Diameter	80-400mm / 450-800mm
D - Exterior Diameter	D1 + 50mm (130-850mm)
L - Connection length	65 mm
L1 - Installed length	435 mm
L2 - Tee length 90°	80 - 140 mm
E	25 mm

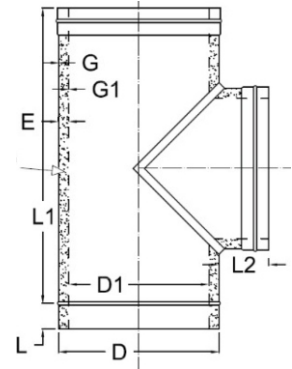


ELITE DW 25 / PRIMO DW 25

T ELEMENT 90° - 0.5MM - DW



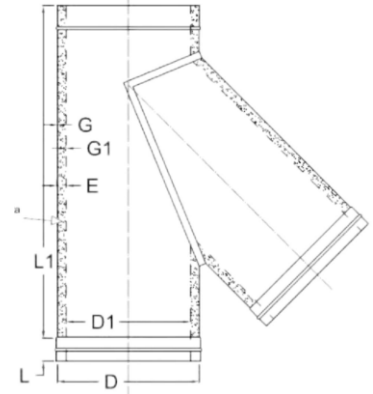
D1 - Flue Diameter	80-400mm / 450-800mm
D - Exterior Diameter	D1 + 50mm (130-850mm)
L - Connection length	65 mm
L1 - Installed length	435 mm
L2 - Tee length 90°	80 - 140 mm
E	25 mm



T ELEMENT 45° - 0.5MM - DW



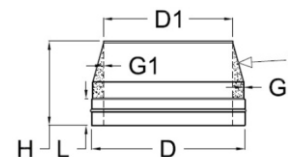
D1 - Flue Diameter	80-400mm / 450-800mm
D - Exterior Diameter	D1 + 50mm (130-850mm)
L - Connection length	65 mm
L1 - Installed length	435 mm
L2 - Tee length 45°	— mm
E	25 mm



CHIMNEY CAP - TERMINAL ELEMENT - DW



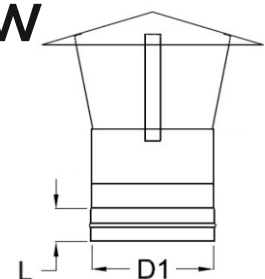
D1 - Flue Diameter	80-400mm / 450-800mm
D - Exterior Diameter	D1 + 50mm (130-850mm)
L - Connection length	65 mm
H - Total height	195 mm



CHIMNEY RAIN CAP - TERMINAL ELEMENT - DW



D1 - Flue Diameter	80-400mm / 450-800mm
D - Exterior Diameter	D1 + 50mm (130-850mm)
L - Connection length	65 mm

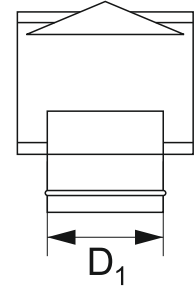


ELITE DW 25 / PRIMO DW 25

CHIMNEY RAIN/WIND CAP - DW



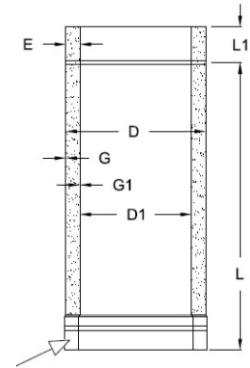
D1 - Flue Diameter	80-400mm / 450-800mm
D - Exterior Diameter	D1 + 50mm (130-850mm)



FLUE PIPE SECTION - 1.0M - DW



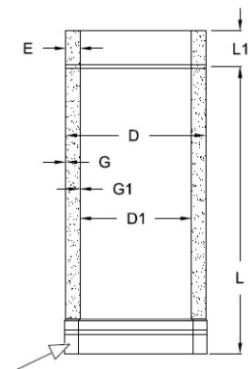
D1 - Flue Diameter	80-400mm / 450-800mm
D - Exterior Diameter	D1 + 50mm (130-850mm)
L1 - Connection length	65 mm
L - Installed length	935 mm
E	25 mm



FLUE PIPE SECTION - 0.5M - DW



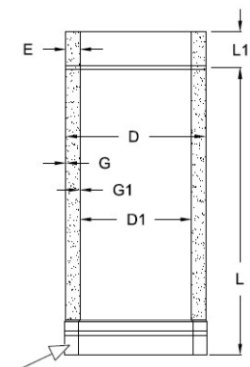
D1 - Flue Diameter	80-400mm / 450-800mm
D - Exterior Diameter	D1 + 50mm (130-850mm)
L1 - Connection length	65 mm
L - Installed length	435 mm
E	25 mm



FLUE PIPE SECTION - 0.25M - DW



D1 - Flue Diameter	80-400mm / 450-800mm
D - Exterior Diameter	D1 + 50mm (130-850mm)
L1 - Connection length	65 mm
L - Installed length	185 mm
E	25 mm

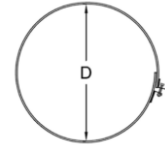


ELITE DW 25 / PRIMO DW 25

INTERMEDIATE LOCKING BAND (FOR SEGMENT)



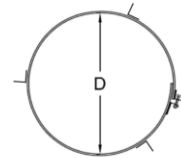
D1 - Designated Flue Diameter	80-400mm / 450-800mm
D - Locking band Diameter	D1 + 50mm (130-850mm)



INTERMEDIATE LOCKING BAND (WITH ANCHOR POINTS)



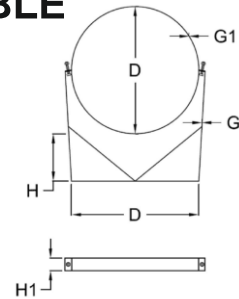
D1 - Designated Flue Diameter	80-400mm / 450-800mm
D - Locking band Diameter	D1 + 50mm (130-850mm)



WALL MOUNTING BRACKET - FIXED / ADJUSTABLE



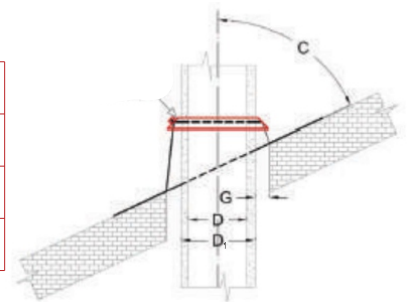
D1 - Designated Flue Diameter	80-400mm / 450-800mm
D - Clamp Diameter	D1 + 50mm (130-850mm)
H	150 mm



ADJUSTABLE CHIMNEY ROOF FLASHING



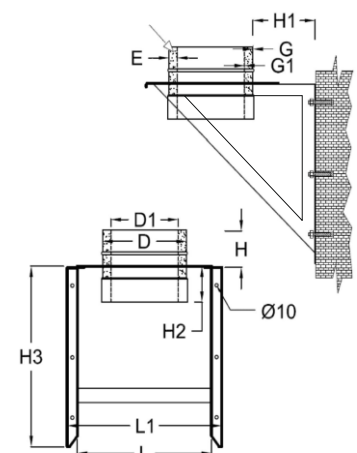
D1 - Designated Flue Diameter	80-400mm / 450-800mm
D - Clamp Diameter	D1 + 50mm (130-850mm)
C°	10°(±5°) / 20°(±5°) / 30°(±5°) / 40°(±5°)
G	95-110 mm



WALL-MOUNTED INTERMEDIATE SUPPORT

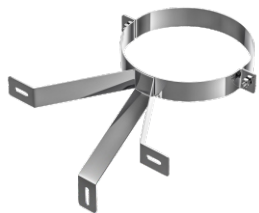


D1 - Flue Diameter	80-400mm / 450-800mm
D - Exterior Diameter	D1 + 50mm (130-850mm)
L - Base plate	D1 + 130mm (210-930mm)
L1	D1 + 190mm (270-990mm)
H	100 mm
H1 / H2	150 mm / 100 mm
H3	D1 + 210 mm (210-1010mm)
E - Insulation	25 mm



ELITE DW 25 / PRIMO DW 25

CONSOLE/WALL MOUNTING CLAMP – FIXED

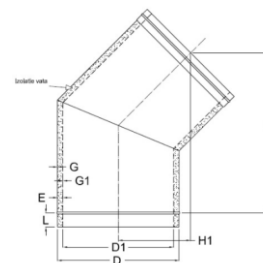


D1 - Designated Flue Diameter	80-400mm / 450-800mm
D - Locking band Diameter	D1 + 50mm (130-850mm)

ELBOW SEGMENT 45° - DW



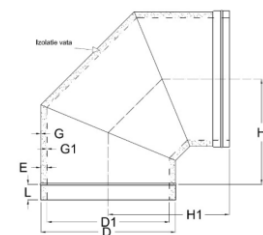
D1 - Flue Diameter	80-400mm / 450-800mm
D - Exterior Diameter	D1 + 50mm (130-850mm)
L - Connection length	65 mm
E	25 mm



ELBOW SEGMENT 90° - DW



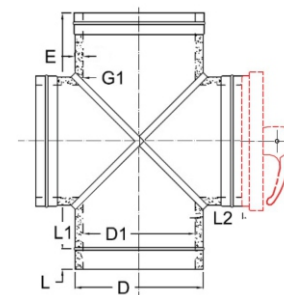
D1 - Flue Diameter	80-400mm / 450-800mm
D - Exterior Diameter	D1 + 50mm (130-850mm)
L - Connection length	65 mm
E	25 mm



CLEANING KOMBI-T ELEMENT - 0.5M - DW

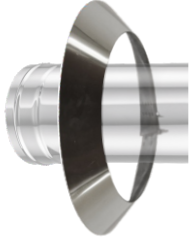


D1 - Flue Diameter	80-400mm / 450-800mm
D - Exterior Diameter	D1 + 50mm (130-850mm)
L - Connection length	65 mm
L1 - Installed length	435 mm
L2 - Tee length 90°	80 - 140 mm
E	25 mm

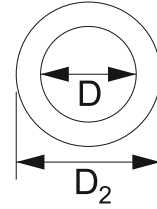


ELITE DW 25 / PRIMO DW 25

WALL COVERING ROSETTE CONICAL – 0.5M – DW



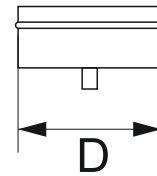
D1 - Designated Flue Diameter	80-400mm / 450-800mm
D - Flue Outer Diameter	D1 + 50mm (130-850mm)
D2 - Outer diameter	



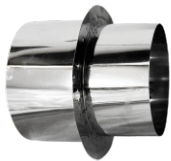
SOOT POT DW



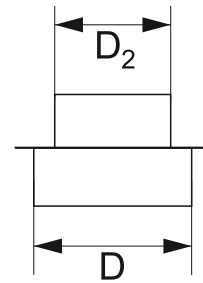
D1 - Designated Flue Diameter	80-400mm / 450-800mm
D - Flue Outer Diameter	D1 + 50mm (130-850mm)



FLUE PIPE ADAPTER SW-SW



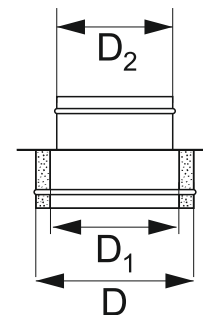
D1 - Designated Flue Diameter	80-400mm / 450-800mm
D - Flue Outer Diameter	D1 + 50mm (130-850mm)
D2 - New connection diameter	D1 ± 100mm



FLUE PIPE ADAPTER DW-SW



D1 - Designated Flue Diameter	80-400mm / 450-800mm
D - Flue Outer Diameter	D1 + 50mm (130-850mm)
D2 - New connection diameter	D1 ± 100mm



CHIMNEY KIT PRACTIC

ELITE DW 25 / PRIMO DW 25



Model	Elite DW 25	Primo DW25
Diameter Range PRACTIC	100 / 130 / 150 / 160 / 180 / 200 mm	
Height Range PRACTIC	5m / 6m / 7m / 8 m	
Classification ELITE DW 25	EN 1856-1 DN(80-400) T600 N1 W Vm L50050 G55	
PRIMO DW 25	EN 1856-1 DN(80-400) T600 N1 W Vm L50020 G95	
Flue wall thickness interior	0.5mm L50 AISI 316	0.5mm L20 AISI 304
Insulation thickness / density	25 mm / 128 kg/m ³	

Chimney kit PRACTIC composition: 5m 200mm 90°		
	part name	Qty.
1	Chimney cap - Terminal - DW 200mm	1 pcs
2	Flue pipe section - 1.0m - DW 200mm	4 pcs
3	Flue pipe section - 0.5m - DW 200mm	1 pcs
4	Intermediate locking band (for segment) - DW 200mm	7 pcs
5	Console/Wall mounting clamp - fixed - DW 200mm	2 pcs
6	T element 90° - 0.5mm - DW 200mm	1 pcs
7	Soot Pot - DW 200mm	1 pcs
8	Flue pipe Adapter DW 200mm - SW (Ø on demand)	optional

Other configurations for PRACTIC				
diameter / height	5m	6m	7m	8m
200 mm	5m 200mm 90°	6m 200mm 90°	7m 200mm 90°	8m 200mm 90°
180 mm	5m 180mm 90°	6m 180mm 90°	7m 180mm 90°	8m 180mm 90°
160 mm	5m 160mm 90°	6m 160mm 90°	7m 160mm 90°	8m 160mm 90°
150 mm	5m 150mm 90°	6m 150mm 90°	7m 150mm 90°	8m 150mm 90°
130 mm	5m 130mm 90°	6m 130mm 90°	7m 130mm 90°	8m 130mm 90°
100 mm	5m 100mm 90°	6m 100mm 90°	7m 100mm 90°	8m 100mm 90°

Packing - BOX L: 50 x 50 x 100cm / BOX M 50 x 50 x 50 cm			
flue diam. int.	boxes	total weight	
Practic 5m 200 90°	2*L	54 kg	
Practic 5m 180 90°	2*L	48 kg	
Practic 5m 160 90°	2*L	45 kg	
Practic 5m 150 90°	2*L	43 kg	
Practic 5m 130 90°	1*L + 1*M	40 kg	
Practic 5m 100 90°	1*L	30 kg	

Optionals:



CHIMNEY KIT STANDARD

KAMINHORN
CHIMNEY SYSTEMS & FIREPLACES

ELITE DW 25 / PRIMO DW 25

WALL-MOUNTED / GROUND LEVEL LO

CERTIFICATIONS

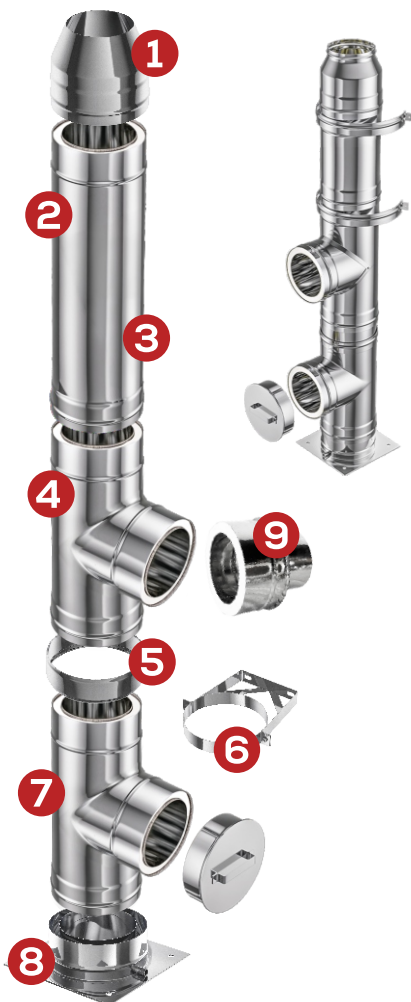
CHIMNEY ELEMENTS

CHIMNEY KITS



Model	Elite DW 25	Primo DW25
Diameter Range STANDARD	80-400 / 450-800	
Height Range STANDARD	3-100m	
Classification ELITE DW 25	EN 1856-1 DN(80-400) T600 N1 W Vm L50050 G55	
PRIMO DW 25	EN 1856-1 DN(80-400) T600 N1 W Vm L50020 G95	
Flue wall thickness interior	0.5mm L50 AISI 316	0.5mm L20 AISI 304
Insulation thickness / density	25 mm / 128 kg/m ³	

Chimney Kit STANDARD 5m 200mm 90° - Wall-Mounted		
	part name	qnt.
1	Chimney cap / Rain Cap - Terminal - DW 200mm	1 pcs
2	Flue pipe section - 1.0m - DW 200mm	4 pcs
3	Flue pipe section - 0.5m - DW 200mm	1 pcs
4	T element 90° / 45° - 0.5mm - DW 200mm	1 pcs
5	Intermediate locking band (for segment) - DW 200mm	8 pcs
6	Wall mounting bracket - fixed - DW 200mm	1 pcs
7	Wall-mounted condensation collector base - DW 200mm	1 buc
8	Flue pipe Adapter DW 200mm - SW (Ø on demand)	optional



Chimney Kit STANDARD 5m 200mm 90° - Ground Level LO		
	part name	qnt.
1	Chimney cap / Rain Cap - Terminal - DW 200mm	1 pcs
2	Flue pipe section - 1.0m - DW 200mm	4 pcs
3	Flue pipe section - 0.5m - DW 200mm	optional
4	T element 90° / 45° - 0.5mm - DW 200mm	1 pcs
5	Intermediate locking band (for segment) - DW 200mm	7 pcs
6	Wall mounting bracket - fixed - DW 200mm	1 pcs
7	Cleaning T element- 0.5m - DW 200mm	1 pcs
8	Ground level condensation collector base - DW 200mm	1 pcs
9	Flue pipe Adapter DW 200mm - SW (Ø on demand)	optional

Other Optionals:

